



BROKIS®



CM12229

MONA

TABLE S - PC950



Download

COMPONENTS INCLUDED WITH UNIT:

1x assembled light
1x hex key size
1x cotton gloves
1x installation manual

WARNING:

The manufacturer assumes no liability for damage resulting from incorrect assembly. When unpacking the light, do so with regard for its material composition – the main components are made of glass.

Wear the cotton gloves included with the light when unpacking and assembling it.

Installation time: 10 minutes/1 person



BROKIS®

BROKIS S.R.O.
ŠPANIĚLOVA 1315/25
163 00 PRAHA 6 - ŘEPY
CZECH REPUBLIC

ORG. ID 64940799
VAT ID CZ64940799
C 42174 MĚSTSKÝ SOUD
V PRAZE

TEL +420 567 211 517
TECHNICAL@BROKIS.CZ
INFO@BROKIS.CZ
WWW.BROKIS.CZ



CLEANING THE GLASS

BROKIS applies the highest possible quality standards in manufacturing its lights. Prior to shipping, each light undergoes several quality controls and stages of cleaning. Lights may require additional cleaning as a result of transportation, storage, and the amount of time that passes between packing in our plant and subsequent unpacking by the client. Therefore, we emphasize cleaning the lights prior to installation.

The glass must first be rinsed in hot water, with a dilution of a dish-detergent used to remove all foreign particles and dust. Eventually repeat this basic treatment, if necessary. Afterwards the glass must have a second cleaning using hot water, with a dilution of a de-greaser (such as ammonia or vinegar). The glass must then be thoroughly rinsed with running hot water. Eventually repeat this treatment, if necessary. The glass is then thoroughly dried with a paper towel or a clean soft cotton towel. Only re-assemble the glass to the lamp body, when completely cooled down.

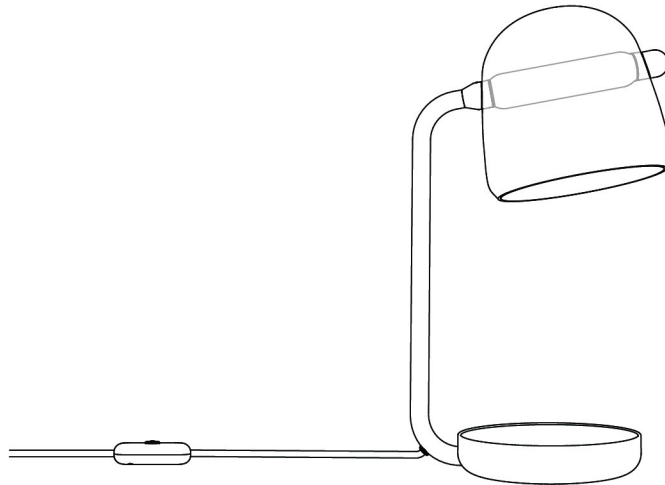
Do not use mineral spirits, highly concentrated thinners, or other substances not intended for use on glass surfaces. Also: do not use products, containing silicones – since they will rapidly attract more dust and grease.

PRIOR TO SHIPPING, THE FUNCTIONALITY OF EACH LIGHT AND ITS COMPONENTS IS THOROUGHLY TESTED. THE MANUFACTURER ASSUMES NO LIABILITY FOR THE MISHANDLING OF PRODUCTS.



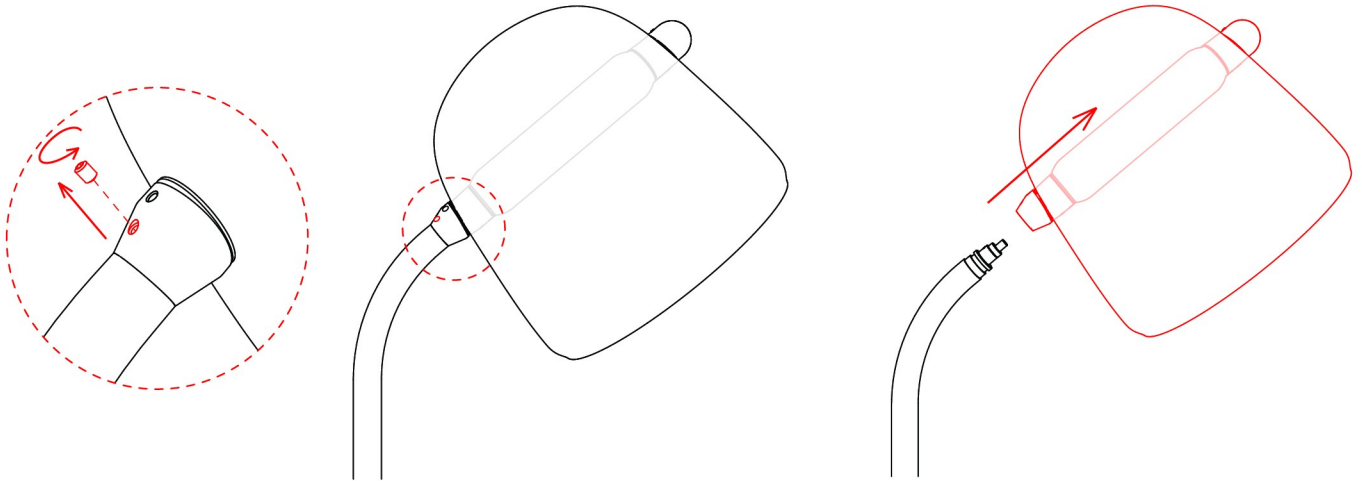
1. SWITCHING ON THE LIGHT

Plug the power cable into an electrical outlet and ensure the light works properly.



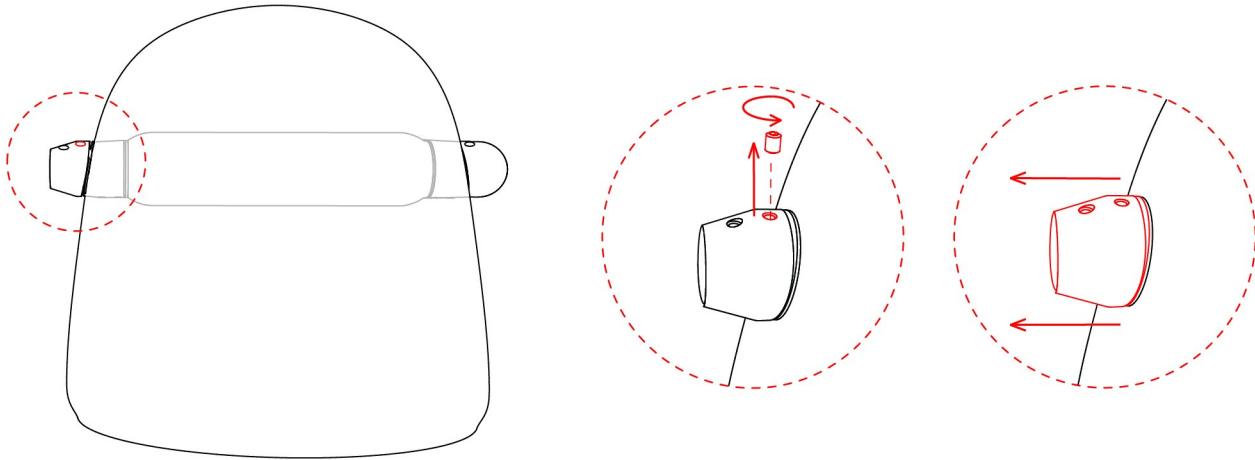
2. DISASSEMBLING THE SHADE / LIGHT SOURCE

Use the hex key to loosen the set screw in the metal fixture and remove the shade with light source.



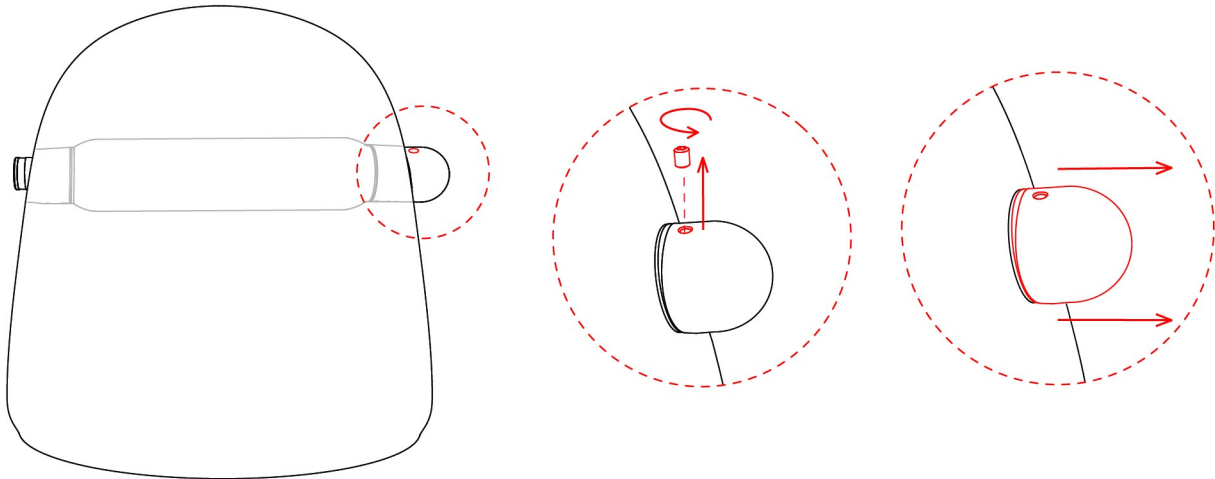
3. REMOVING THE OUTER CAP

Use the hex key to loosen the set screw in the outer cap of the light source and remove the cap.



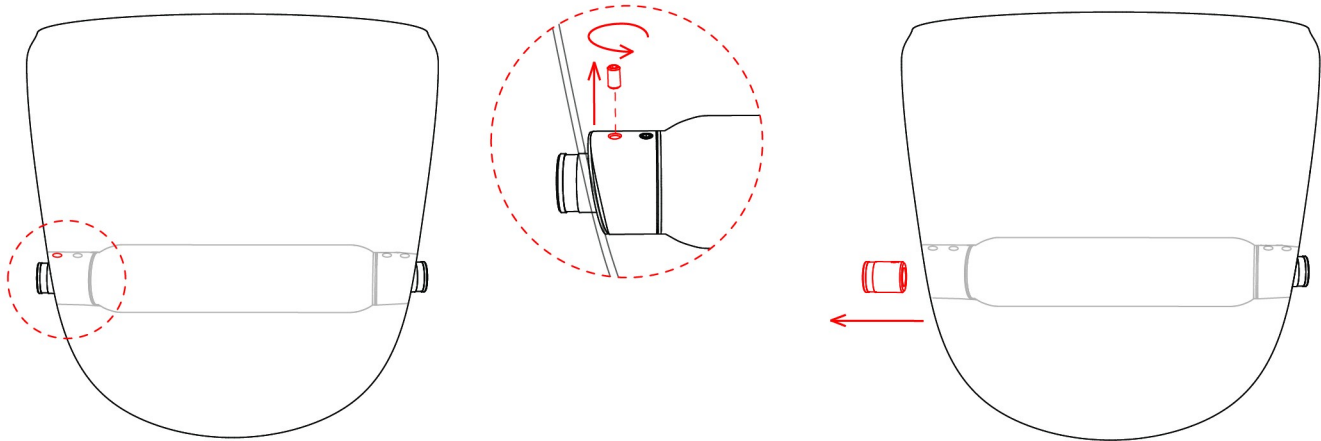
4. REMOVING THE OUTER CAP

Use the hex key to loosen the set screw in the other outer cap of the light source and remove the cap.



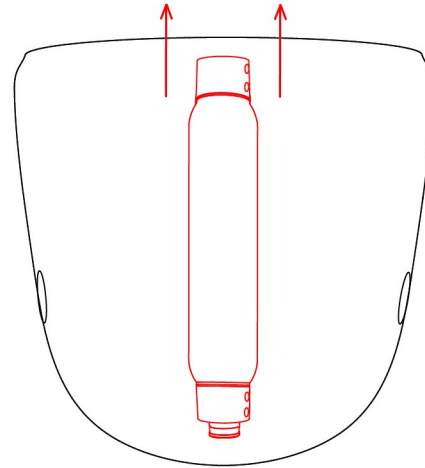
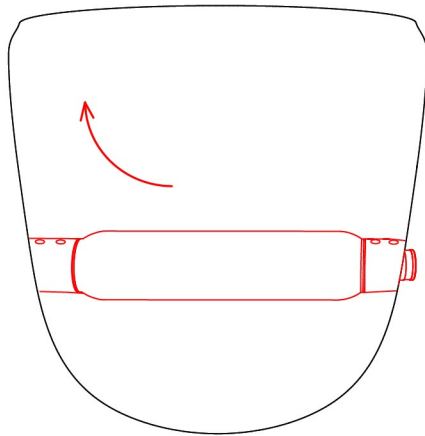
5. REMOVING THE LIGHT SOURCE LOCKING CYLINDER

Use the hex key to loosen the set screw in the inner cap of the light source. Next, remove the locking cylinder by pulling it out of the shade while holding the light source in place.



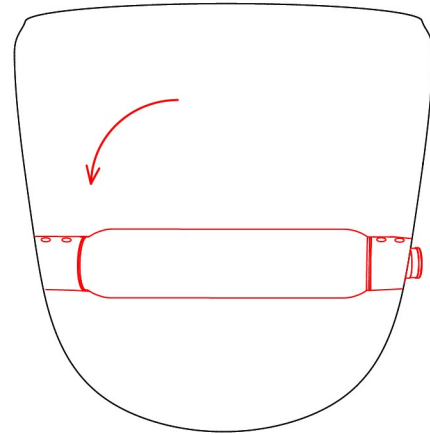
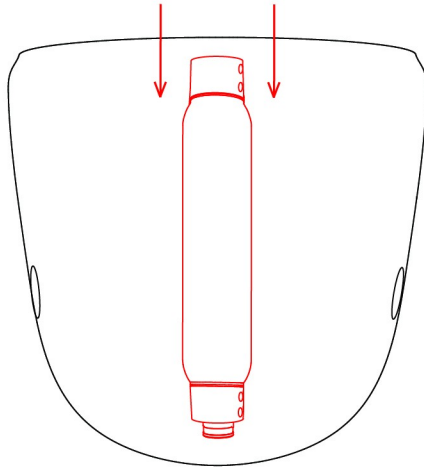
6. REMOVING THE LIGHT SOURCE

Remove the light source from the glass shade.



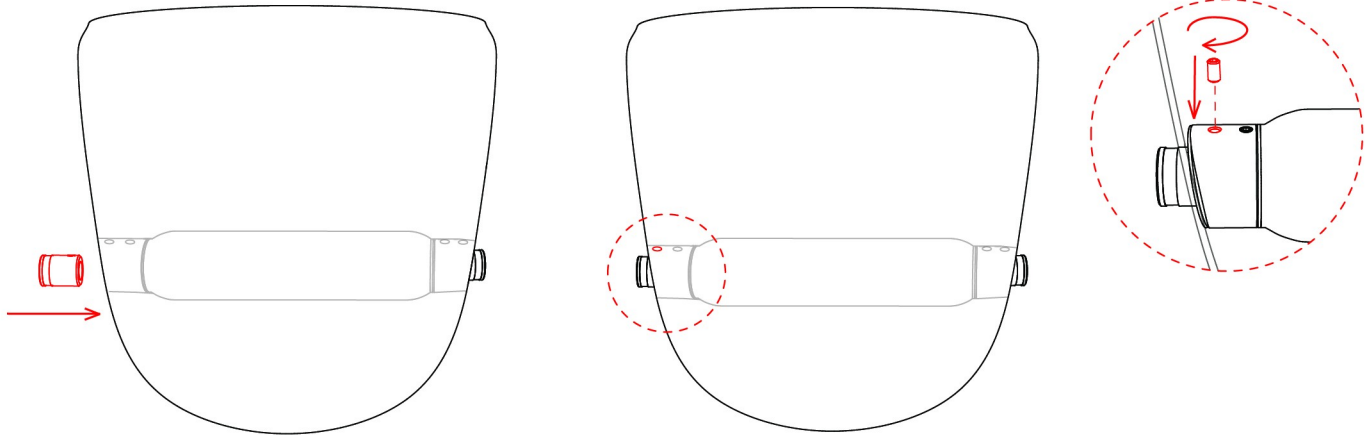
7. INSTALLING THE LIGHT SOURCE

Position the light source in the glass shade so that it fits neatly in the holes. If the light source is loose in the holes, add another seal, position it in the holes again, and check for a snug fit.



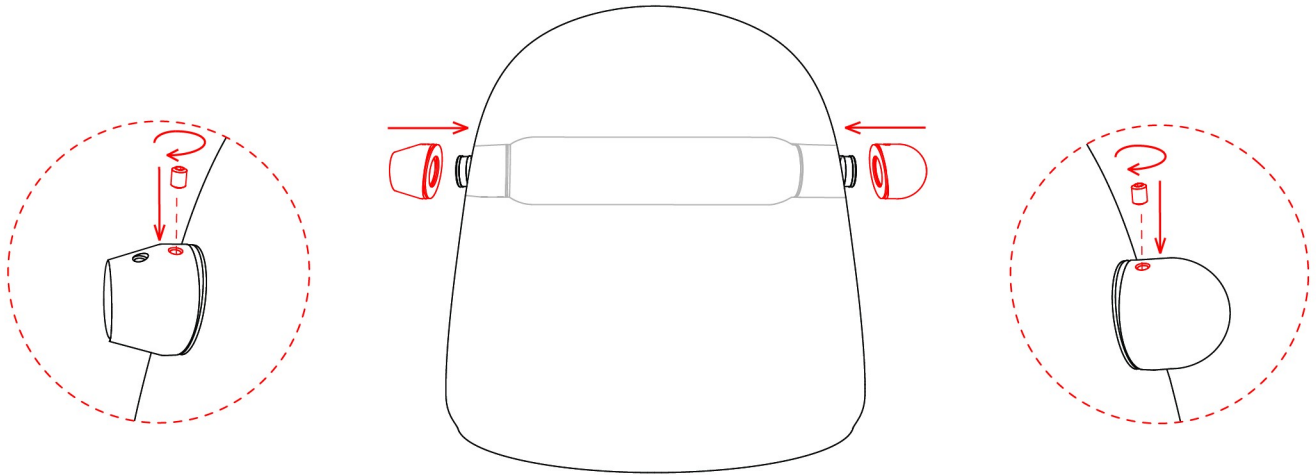
8. INSTALLING THE LOCKING CYLINDER

Insert the aluminium locking cylinder through the hole in the glass and into the light source until the dimple in the cylinder is aligned with the set screw in the inner cap.



9. INSTALLING THE OUTER CAPS

Press the outer caps over the locking cylinders until flush against the glass. The rounded cap goes on the end of the light source without the connector. The open cap goes on the end with the connector. Tighten the set screws while gently pressing the caps against the glass.



10. INSTALLING THE SHADE

Position the shade with light source on the metal fixture and secure in place with the set screw.

